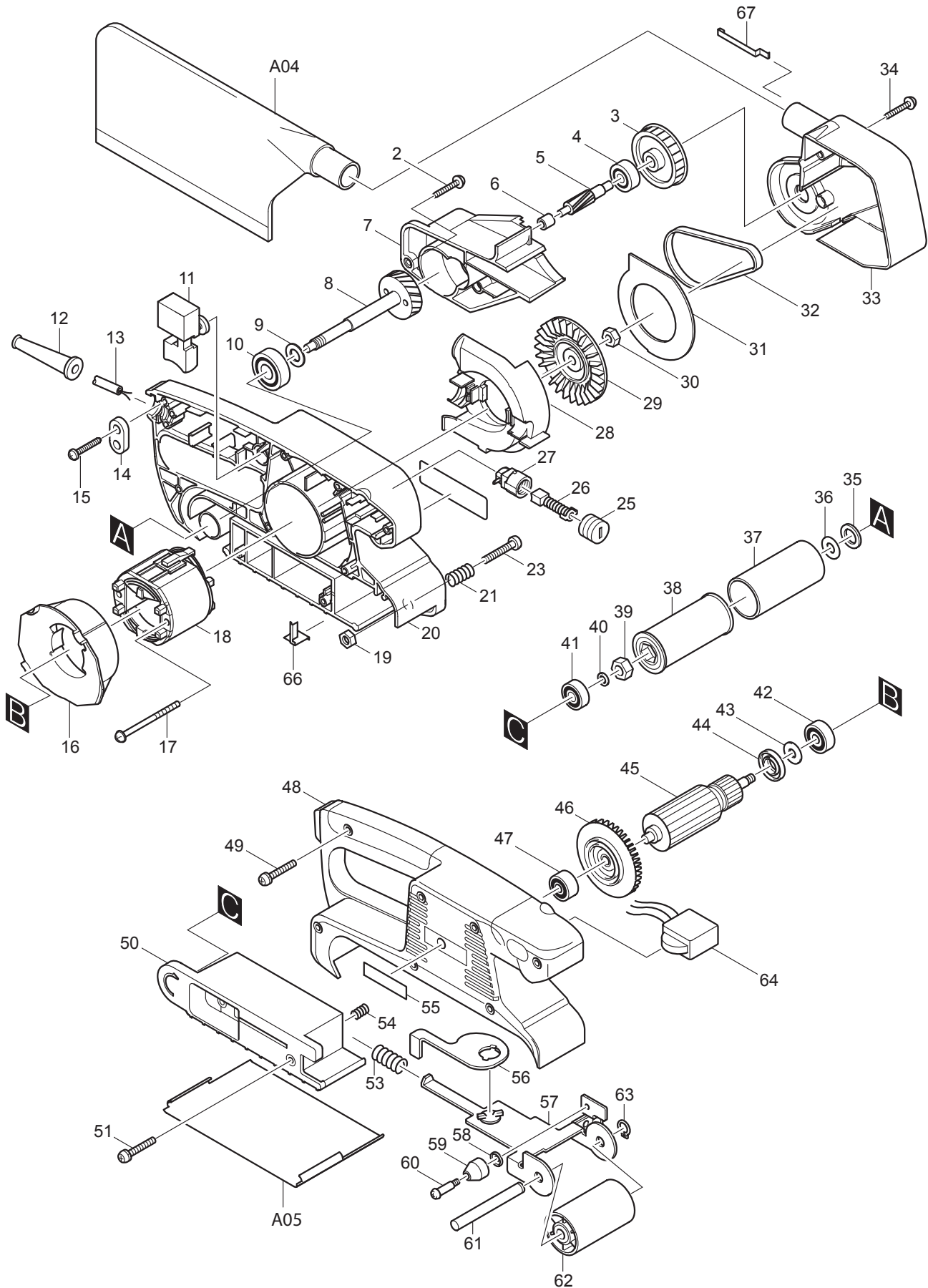




04 - 2010  
9911 / 9911KX1  
3/18" BELT SANDER



## PARTS LIST

Item No	Type	Part No	Description	Qty	Unit
002		265999-8	TAPPING SCREW 4X25	4	PC.
003		222144-8	PULLEY 8.5-45.1	1	PC.
004		210005-4	BALL BEARING 608DDW	1	PC.
005		226494-3	HELICAL GEAR 6	1	PC.
006		212009-2	NEEDLE BEARING 509	1	PC.
007		416420-2	BRACKET	1	PC.
008		153252-3	HELICAL GEAR 31 COMPLETE	1	PC.
009		253758-2	FLAT WASHER 10	1	PC.
010		211061-7	BALL BEARING 6000LLB (OLD# 211088-7)	1	PC.
011	2	650232-5	SWITCH TGL215CDT-1 (TYPE1# 651285-7)	1	PC.
012		682502-4	CORD GUARD 8-85	1	PC.
013		664891-9	CORD WITH PLUG 2P-18-2.5M SJ	1	PC.
014		687063-9	CORD CLAMP (STRAIN RELIEF)	1	PC.
015		265995-6	TAPPING SCREW 4X18	2	PC.
016		416418-9	BAFFLE PLATE	1	PC.
017		266052-3	TAPPING SCREW 4X60	2	PC.
018	1	633391-0	FIELD 115V	1	PC.
018	2	639383-7	FIELD 115V	1	PC.
019		931202-6	HEX. NUT M5	1	PC.
020		150958-4	HOUSING L COMPLETE	1	PC.
020	INC.		Item No. 6,19		
021		233219-8	COMPRESSION SPRING 6	1	PC.
022		941102-2	FLAT WASHER 5 (Old)	1	PC.
023		911252-7	PAN HEAD SCREW M5X30	1	PC.
024	2	859603-5	NAME PLATE F/ 9911	1	PC.
025		643550-8	BRUSH HOLDER CAP 5-8	2	PC.
026	2	195008-8	CARBON BRUSH CB-408 2PC/SET (W/ ORIGIN)	1	SET
027		643922-7	BRUSH HOLDER	2	PC.
028		416416-3	SCROLL PLATE	1	PC.
029		241660-1	FAN 68	1	PC.
030		252153-3	HEX. NUT M6-10	1	PC.
031		344584-1	PLATE	1	PC.
032		225079-2	SYNCHRO BELT 6-300	1	PC.
033		183021-8	BELT COVER SET (OLD# 416415-5 - N/L/A)	1	PC.
033	INC.		Item No. 67		
034		265999-8	TAPPING SCREW 4X25	4	PC.
035		267177-6	FLAT WASHER 12	1	PC.
036		253865-1	FLAT WASHER 8	1	PC.

Item No	Type	Part No	Description	Qty	Unit
037		422032-1	RUBBER SLEEVE 29	1	PC.
038		316971-4	DRIVING ROLLER	1	PC.
039		252154-1	HEX. NUT M8-13	1	PC.
040		253077-6	FLAT WASHER 6	1	PC.
041		210022-4	BALL BEARING 626DDW	1	PC.
042		210023-2	BALL BEARING 627DDW	1	PC.
043		253823-7	FLAT WASHER 7	1	PC.
044	2	681658-0	INSULATION WASHER (TYPE1# 681648-3)	1	PC.
045		517241-6	ARMATURE ASS'Y 115V	1	PC.
045	INC.		Item No. 42-44,46,47		
046		240008-4	FAN 60	1	PC.
047		211021-9	BALL BEARING 607LLB	1	PC.
048		182982-9	HOUSING R	1	PC.
048	INC.		Item No. 55		
049		265999-8	TAPPING SCREW 4X25	7	PC.
050		416419-7	SHOE	1	PC.
051		265999-8	TAPPING SCREW 4X25	2	PC.
053		233221-1	COMPRESSION SPRING 12	1	PC.
054		231038-6	COMPRESSION SPRING 6	1	PC.
055		819063-3	MAKITA LABEL	1	PC.
056		344585-9	LEVER	1	PC.
057		150837-6	TENSION ROLLER ARM COMPLETE	1	PC.
058		267731-6	CUP WASHER 4	1	PC.
059		416417-1	ROLLER	1	PC.
060		265059-6	SHOULDER SCREW M4	1	PC.
061		323776-5	TENSION ROLLER SHAFT	1	PC.
062		152585-3	TENSION ROLLER COMPLETE	1	PC.
063		961004-6	RETAINING RING S-8	1	PC.
064		631675-0	CONTROLLER (OLD# 631182-3 - N/L/A)	1	PC.
066		344703-9	EARTH SUPPORTER	1	PC.
067		344701-3	EARTH PLATE	1	PC.
068		632800-6	LEAD UNIT	2	PC.
100		652008-6	P.H. SCREW M3.5 X 7	4	PC.
101		654037-5	INSULATED EYE TERMINAL FT1.25-M3	4	PC.
A01		794551-A	3X18" ABRASIVE BELT NAXB80, 10PC/SET	1	PC.
A02	2	824982-0	PLASTIC CARRYING CASE	1	PC.
A02	2	INC. 162271-8	LATCH	2	PC.
A02	2	INC. 450990-1	HANDLE	1	PC.
A03	1	824732-3	CARRYING CASE INNER TRAY F/824733-1	1	PC.

Item No	Type	Part No	Description	Qty	Unit
A03	2	837721-9	CARRYING CASE INNER TRAY F/824982-0	1	PC.
A04		122548-3	DUST BAG ASS'Y	1	PC.
A04	INC.	410602-8	FASTENER	1	PC.
A05		344586-7	STEEL PLATE	1	PC.
A06		192279-8	HOSE 1" DIA.X9.6FT	1	PC.
A06	2	A-34235	HOSE COMPLETE 28-1.5M SET W/FRONT CUFFS 22, 38	1	PC.
A07		192694-6	CLAMP COM.	1	PC.